



TWGF10004

6 WAY-0° Power splitter

2 ~ 250MHz

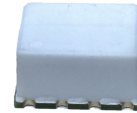
V1

Features:

RoHS Compliant

Tape & Reel

260 Degree Cel SMT Process



Schematic:



Ports Configuration:

SUM PORT	1
PORT 1	8
PORT 2	7
PORT 3	6
PORT 4	5
PORT 5	4
PORT 6	3
GROUND	2

Maximum Ratings:

Parameters	Conditions	Unit	Min	Max
RF Power		Watt		1
DC Current		mA		500
Operating Temperature Range		Degree Cel	-40	85
Storage Temperature Range		Degree Cel	-55	100
Moisture Sensitivity Level				1

Ordering Information:

Part Description	Details
TWGF10004	500 per reel
TWGF10004-EVA	Evaluation Board for TWGF10004

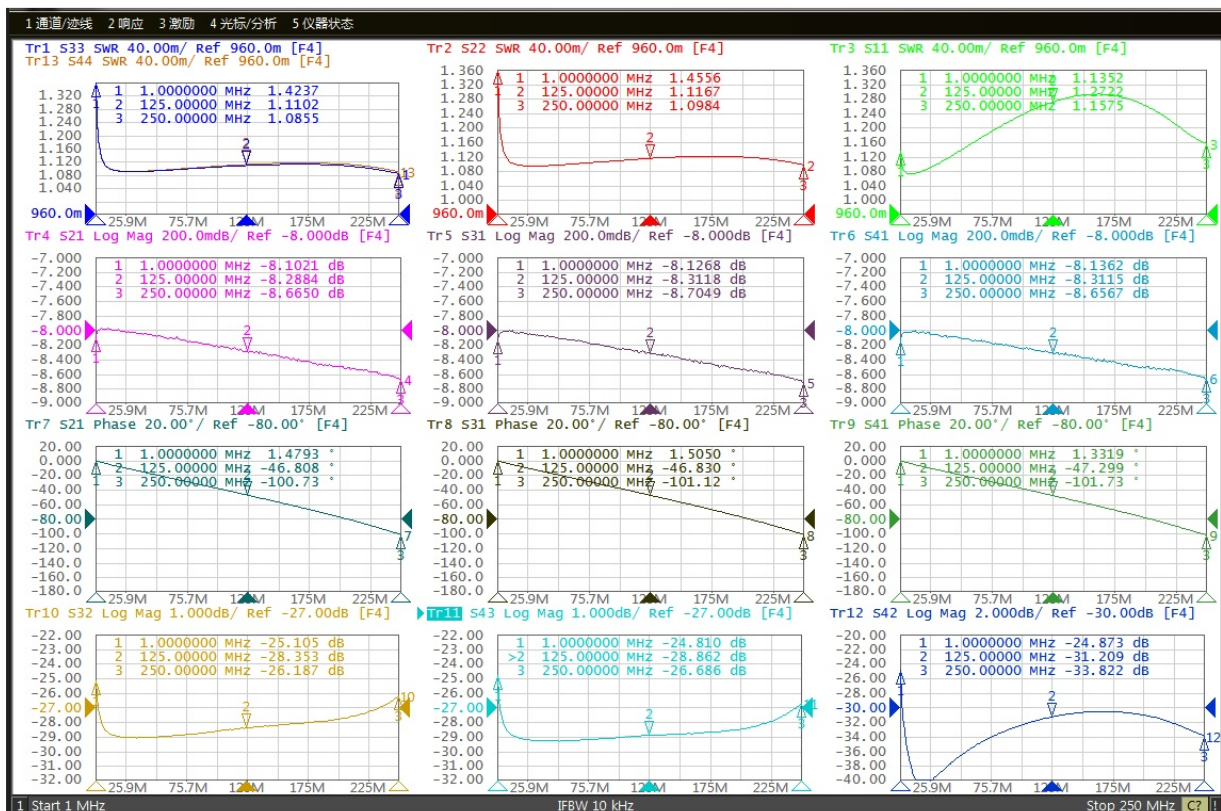
Electrical Specifications: Zo=50 Ohm Pin = 0 dBm

Parameter	Test Conditions	Unit	Min	Typical	Max
Frequency Range	-	MHz	2	~	250
Insertion Loss	2-250MHz	dB	-	0.9	1.4
Amplitude unbalance	2-250MHz	dB	-	0.05	0.6
Phase unbalance	2-250MHz	°	-	1	8
Input VSWR	2-250MHz	VSWR	-	1.25	1.4
Output VSWR	2-250MHz	VSWR	-	1.1	1.5
Isolation	2-250MHz	dB	20	26	-

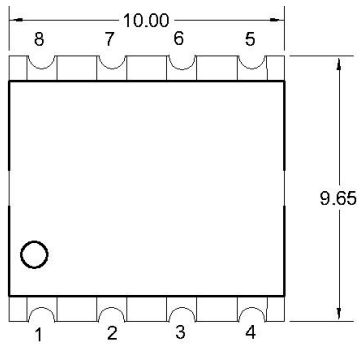
Notes:

- 1: Specifications guaranteed over the operating temperature range.
- 2: Touchstone format sNp file is available on www.exploremw.com.

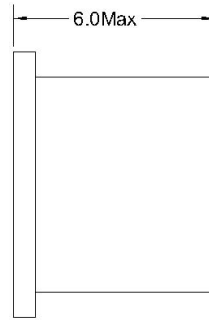
Typical Performance Curves:



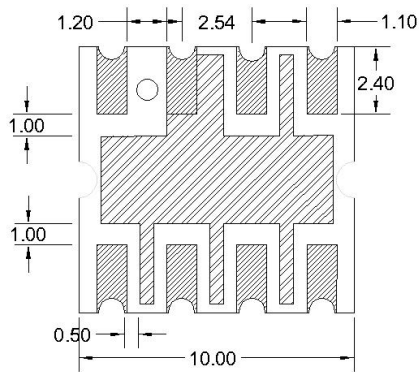
Mechanical Dimensions:



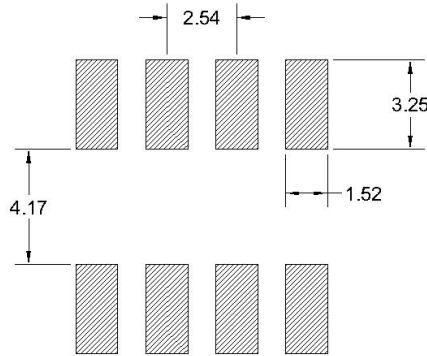
Top View



Side View



Bottom View



Suggested PCB Layout

Notes:

- 1: Dimensions in mm.
- 2: Tolerance ± 0.3 mm unless otherwise noted.
- 3: 3D model in STEP format is available at www.exploremw.com