



TWGF10120

3 WAY-0° Power splitter

100 ~ 940MHz

V1

Features:

RoHS Compliant

Tape & Reel

260 Degree Cel SMT Process



Schematic:



Ports Configuration:

SUM PORT	3
PORT1	6
PORT2	8
PORT3	10
GROUND	1,2,4,5,7,9

Maximum Ratings:

Parameters	Conditions	Unit	Min	Max
RF Power		Watt		1
DC Current		mA		500
Operating Temperature Range		Degree Cel	-40	85
Storage Temperature Range		Degree Cel	-55	100
Moisture Sensitivity Level				1

Ordering Information:

Part Description	Details
TWGF10120	800 per reel
TWGF10120-EVA	Evaluation Board for TWGF10120

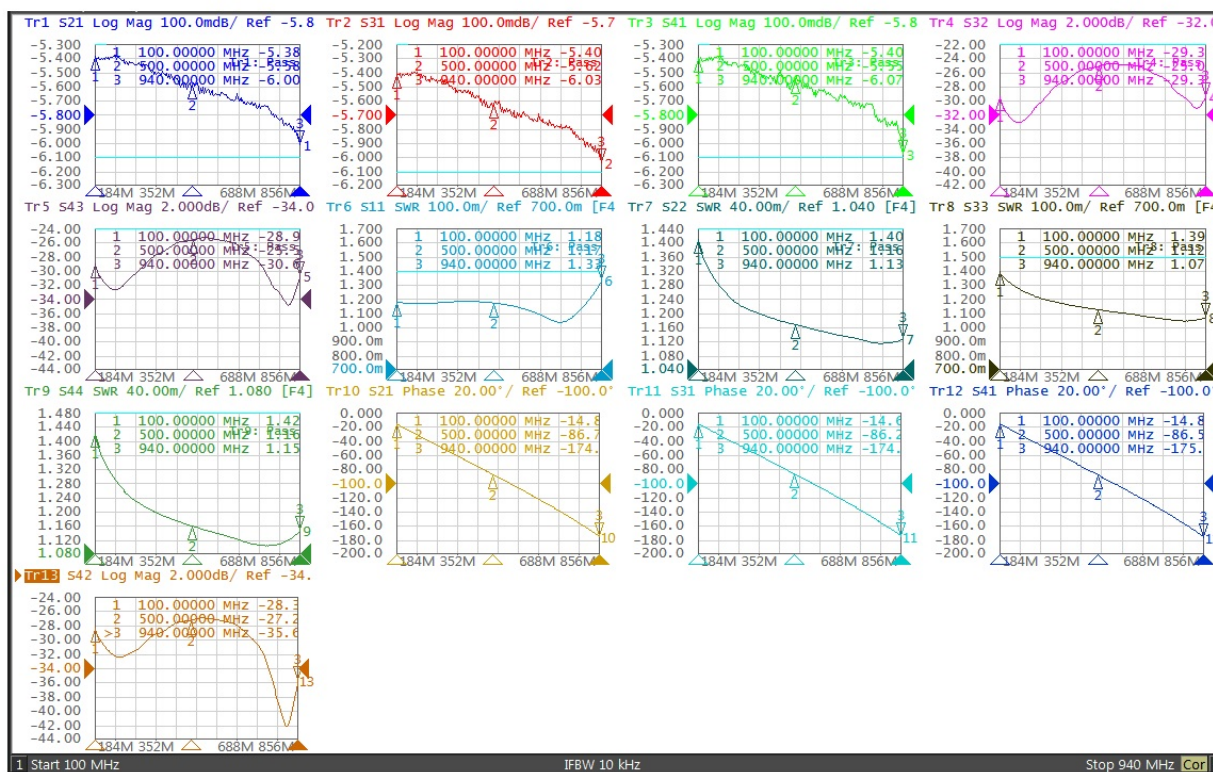
Electrical Specifications: Zo=50 Ohm Pin = 0 dBm

Parameter	Test Conditions	Unit	Min	Typical	Max
Frequency Range	-	MHz	100	~	940
Insertion Loss	100-940MHz	dB	-	0.8	1.5
Amplitude unbalance	100-940MHz	dB	-	0.05	0.6
Phase unbalance	100-940MHz	°	-	0.5	6
Input VSWR	100-940MHz	VSWR	-	1.2	1.4
Output VSWR	100-940MHz	VSWR	-	1.2	1.5
Isolation	100-940MHz	dB	20	30	-

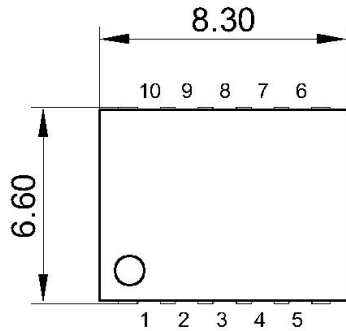
Notes:

- 1: Specifications guaranteed over the operating temperature range.
- 2: Touchstone format sNp file is available on www.exploremw.com.

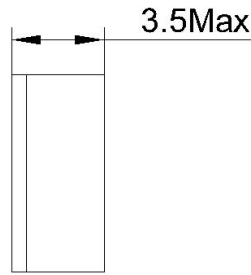
Typical Performance Curves:



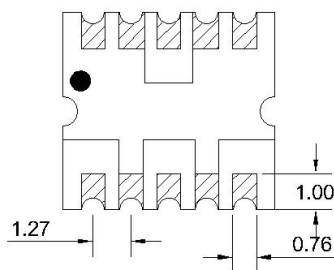
Mechanical Dimensions:



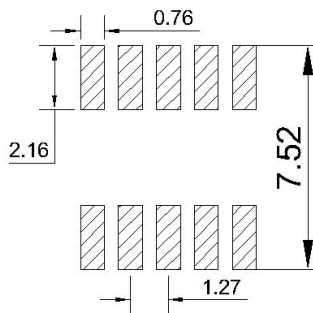
Top View



Side View



Bottom View



Suggested PCB Layout

Notes:

- 1: Dimensions in mm.
- 2: Tolerance ± 0.3 mm unless otherwise noted.
- 3: 3D model in STEP format is available at www.exploremw.com