



TWGF11027

4 WAY-0° Power splitter

10 ~ 650MHz

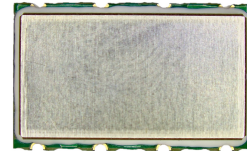
V1

Features:

RoHS Compliant

Tape & Reel

260 Degree Cel SMT Process



Schematic:



Ports Configuration:

SUM PORT	3
PORT 1	2
PORT 2	4
PORT 3	6
PORT 4	8
GROUND	1,5,7

Maximum Ratings:

Parameters	Conditions	Unit	Min	Max
RF Power		Watt		1
DC Current		mA		500
Operating Temperature Range		Degree Cel	-40	85
Storage Temperature Range		Degree Cel	-55	100
Moisture Sensitivity Level				1

Ordering Information:

Part Description	Details
TWGF11027	500 per reel
TWGF11027-EVA	Evaluation Board for TWGF11027

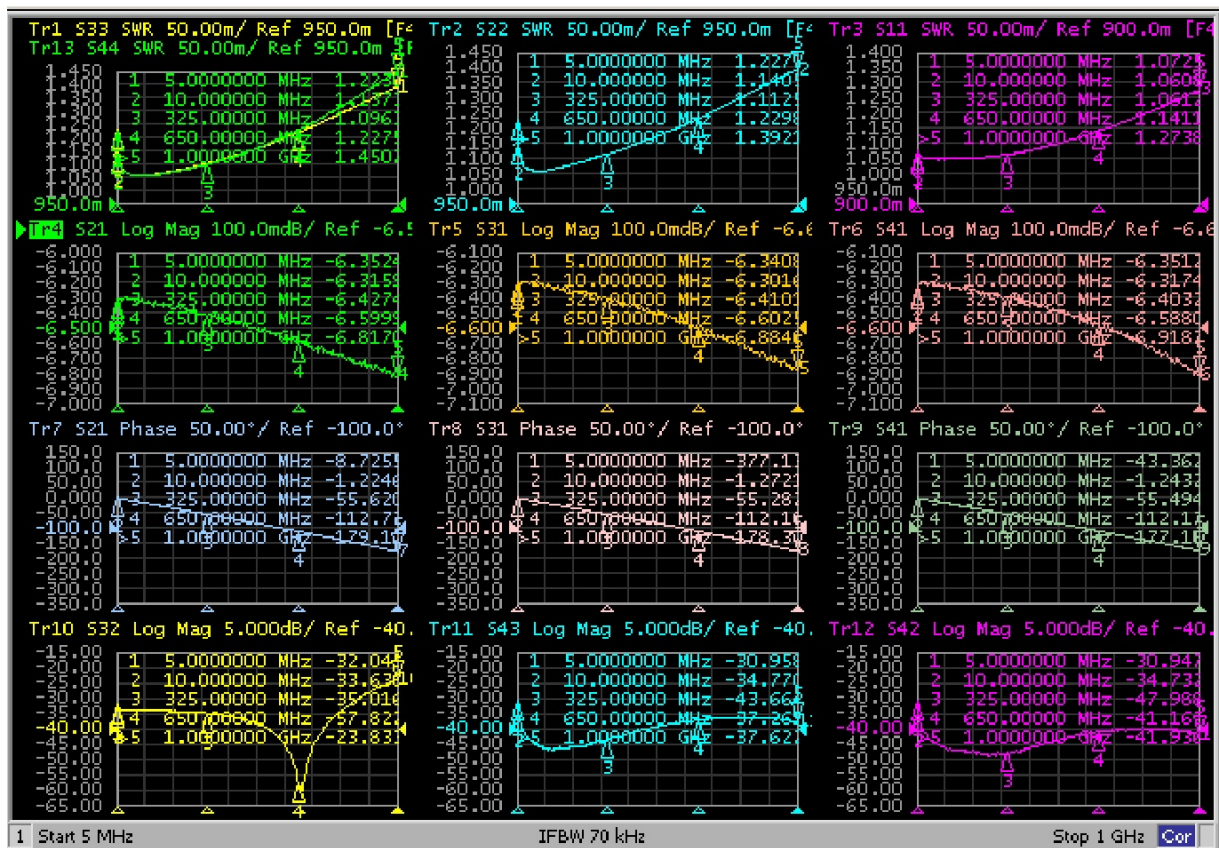
Electrical Specifications: Zo=50 Ohm Pin = 0 dBm

Parameter	Test Conditions	Unit	Min	Typical	Max
Frequency Range	-	MHz	10	~	650
Insertion Loss	10-650MHz	dB	-	0.6	1.2
Amplitude unbalance	10-650MHz	dB	-	0.1	0.6
Phase unbalance	10-650MHz	°	-	0.5	10
Input VSWR	10-650MHz	VSWR	-	1.15	1.3
Output VSWR	10-650MHz	VSWR	-	1.2	1.35
Isolation	10-650MHz	dB	23	30	

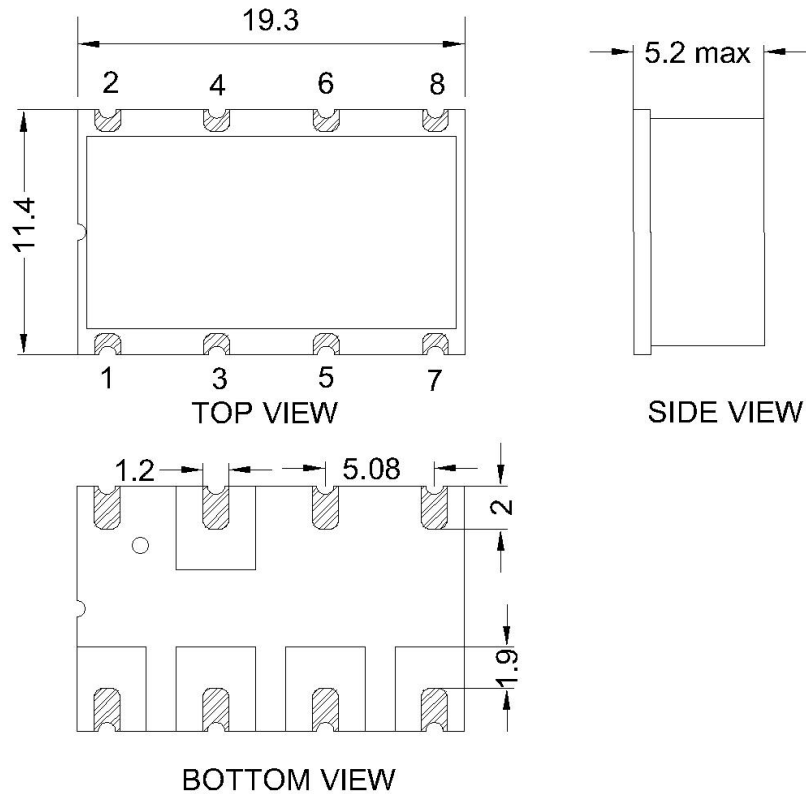
Notes:

- 1: Specifications guaranteed over the operating temperature range.
- 2: Touchstone format sNp file is available on www.exploremw.com.

Typical Performance Curves:



Mechanical Dimensions:



Notes:

- 1: Dimensions in mm.
- 2: Tolerance ± 0.3 mm unless otherwise noted.
- 3: 3D model in STEP format is available at www.exploremw.com