



## TWGF11019

4 WAY-0° Power splitter

1 ~ 400MHz

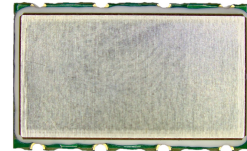
V1

### Features:

RoHS Compliant

Tape & Reel

260 Degree Cel SMT Process



### Schematic:



### Ports Configuration:

SUM PORT	3
PORT 1	2
PORT 2	4
PORT 3	6
PORT 4	8
GROUND	1,5,7

### Maximum Ratings:

Parameters	Conditions	Unit	Min	Max
RF Power		Watt		2
DC Current		mA		500
Operating Temperature Range		Degree Cel	-40	85
Storage Temperature Range		Degree Cel	-55	100
Moisture Sensitivity Level				1

### Ordering Information:

Part Description	Details
TWGF11019	500 per reel
TWGF11019-EVA	Evaluation Board for TWGF11019

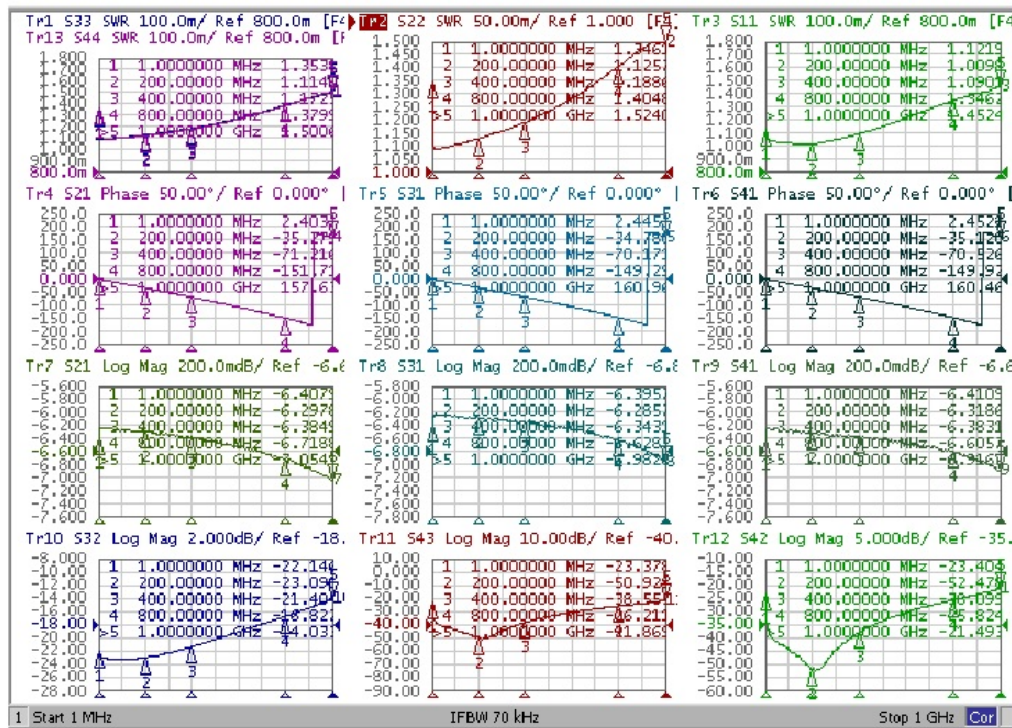
Electrical Specifications: Zo=50 Ohm Pin = 0 dBm

Parameter	Test Conditions	Unit	Min	Typical	Max
Frequency Range	-	MHz	1	~	400
Insertion Loss	1-400Mhz	dB	-	0.4	1
Amplitude unbalance	1-400Mhz	dB	-0.2	0.1	0.2
Phase unbalance	1-400Mhz	°	-5	1	5
Input VSWR	1-400Mhz	VSWR	-	1.1	1.35
Output VSWR	1-400Mhz	VSWR	-	1.15	1.5
Isolation	1-400Mhz	dB	18	22	-

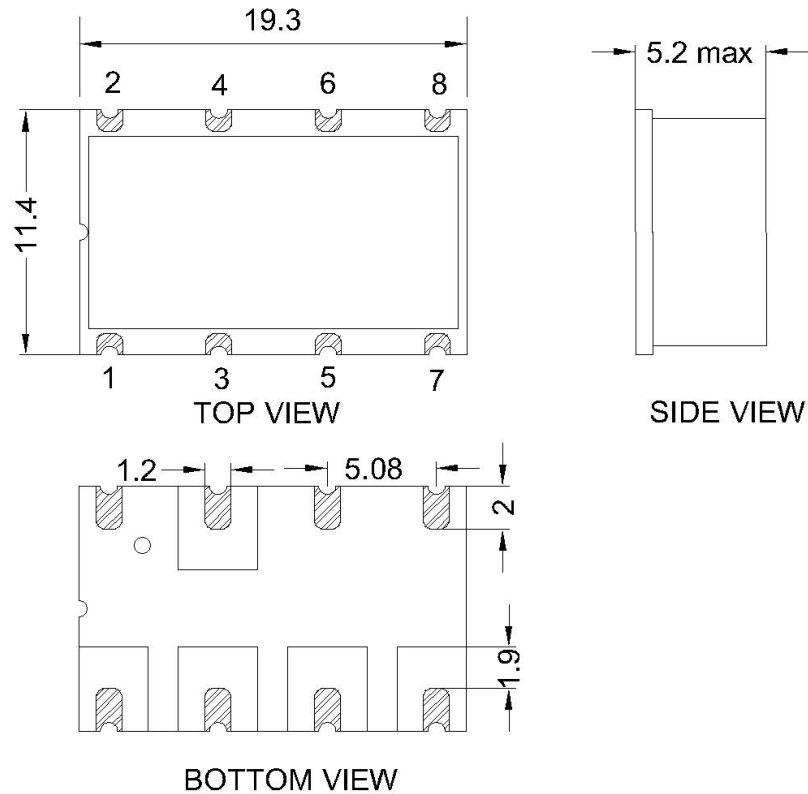
Notes:

- 1: Specifications guaranteed over the operating temperature range.
- 2: Touchstone format sNp file is available on [www.exploremw.com](http://www.exploremw.com).

Typical Performance Curves:



## Mechanical Dimensions:



## Notes:

- 1: Dimensions in mm.
- 2: Tolerance  $\pm 0.3$ mm unless otherwise noted.
- 3: 3D model in STEP format is available at [www.exploremw.com](http://www.exploremw.com)